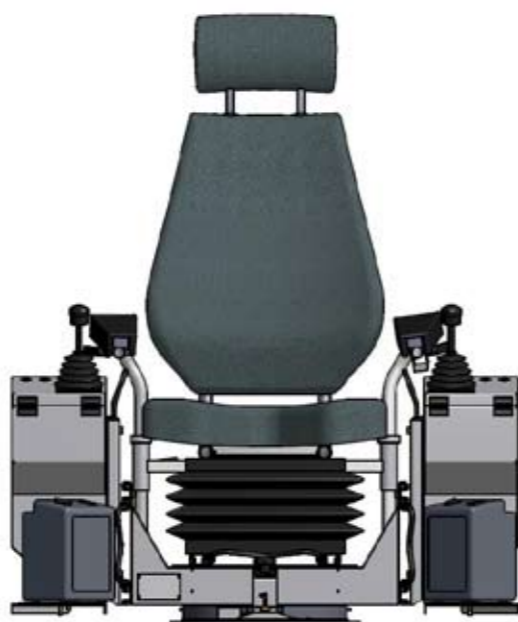




MERFORD

Operator seat



Basic



Standard



Heavy duty



Merford Cabins BV

Web address: www.ergocab.com
E-mail: ergocab@merford.nl
Phone: +31 184 606000
Fax: +31 184 602794
Country: The Netherlands



Practical solution
Solid structure
Comfort

Operator Seat

The Merford Operator seat is designed for operators looking forward, up or slanting downward. The combination which provides a comfortable seat and consoles can be supplied as a basic, standard or a heavy duty version.

The basic and standard version are based on a traditional well proven solid construction and is suitable for many applications. The construction of our heavy duty version is based on our floor mounted Ergoseat-S which, among other things is provided with a very rigid base-structure. The heavy duty version is 200mm (7.8 inch) adjustable in height, what is more than average traditional crane operator seats.



Many people around the world are sitting many hours a day without proper instructions and tools. Because of this, many of them suffer from physical problems. The Operator Seat provides a comfortable body posture.

Basic:

Low priced but high in quality this is a practical solution for cranes and machines.

Standard:

Practical solution for cranes and machines they offer much comfort, and many options are possible.

Heavy duty:

Comfortable body posture in combination with a rigid construction will result in a long lifespan in heavy environments. Many options are possible.

Seat-type	Operator seat		
	Basic	Standard	Heavy Duty
Seat			
Fabric Upholstery Blue	X	S	S
Forward - Backward Adjustment Cushion	S	S	S
Height Adjustment Backrest	X	S	S
Adjustable Lumbar Support	S	S	S
Inclination Adjustment Backrest	S	S	S
Tilt Adjustment Seat	X	S	S
Forward - Backward Adjustment Seat	S	S	S
Weight / Suspension Adjustment Mechanical / Manual	S	X	X
Weight / Suspension Adjustment Pneumatic / Electric	X	S	S
Head Rest	O	O	S
Armrests, simple fixed to seat	S	X	X
Armrests, heavy duty	X	S	S
V-cut in Cushion	X	O	S
Pressure Switch in Cushion	X	O	O
Leather Upholstery	X	O	O
Merford Dynamic Seat	X	O	O
2-Point Safety Belt	S	S	S
4-point Safety Belt	X	O	O
Console			
Console Width 200 mm	S	S	S
Console Width 240 mm	O	O	O
Console Width 320 mm	O	O	O
Consoles Forward - Backward	O	O	O
Consoles Up- Down	O	O	O
Consoles Rotatable	X	X	X
Consoles Tilt adjustable	X	X	X
Consoles Frontpart Slant	S	S	S
Blind Topplates	S	S	S
Pre-Drilled Topplates	O	O	O
Text Plates	O	O	O
Extra's			
Height Adjustment Total Arrangement	70 mm	70 mm	200 mm
Junction box	S	S	S
Steel parts RAL 7015, structure surface	S	S	S
Steel Parts Specific RAL colour	O	O	O
Rotation Table	O	O	O
Fun Radio	O	O	O
Heating Furnaces	O	O	O
Swiveling Panel LH side	O	O	O
Swiveling Panel RH side	O	O	O
User and Maintenance Manual	S	S	S
Control Components	Quotation	Quotation	Quotation