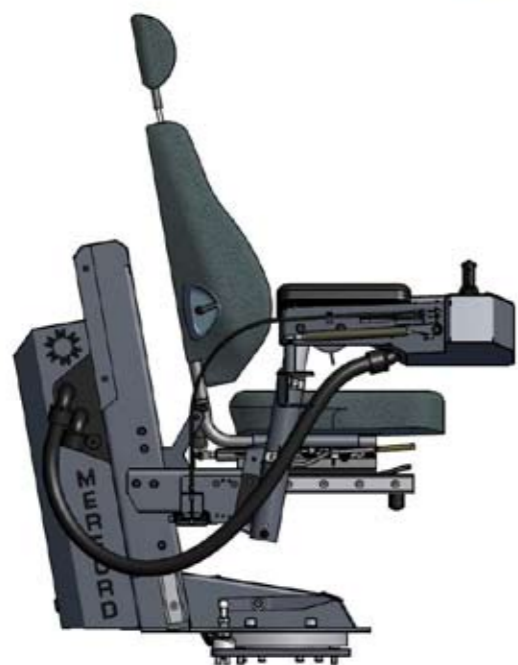
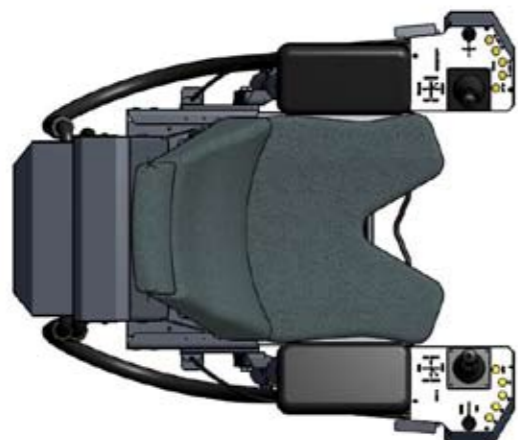


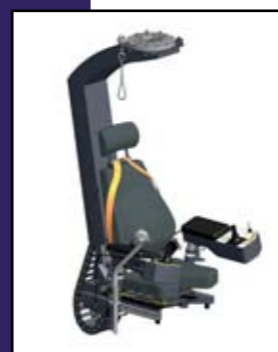


MERFORD

Ergoseat-S



BalanSeat



Ergoseat-H



Ergoseat-S



Merford Cabins BV
Web address: www.ergocab.com
E-mail: ergocab@merford.nl
Phone: +31 184 606000
Fax: +31 184 602794
Country: The Netherlands



Ergonomic design
Fully adjustable consoles
Upper body support

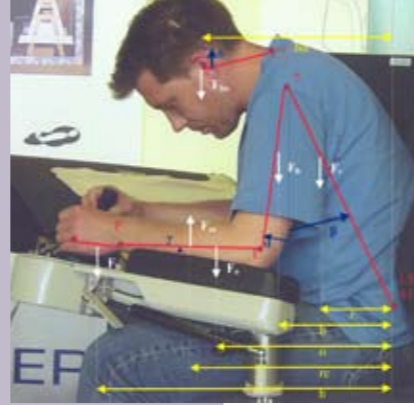
Ergoseat-S

The Ergoseat-S is designed for operators looking downward. The seat provides an upper-body support by means of fully adjustable consoles (to unload the lower back, according to ISO 11226) and makes it possible to vary positions very easily.

The Ergoseat is provided with pneumatic / mechanical suspension and is designed for P5-P95 people worldwide.

The Ergoseat is floor mounted and is provided with a very rigid base-structure.

Due to the many adjustment possibilities the Ergoseat can be used for cabins with other view lines as well.



Many people around the world are sitting several hours a day without proper instructions and tools. Because of this, many of them suffer from back or neck problems.

This is especially the case for crane operators looking downwards and possibly sitting in a moving environment.

It is clear that this can result in fatigue, physical complaints, loss of efficiency and in extreme cases these situations may contribute to an unsafe environment.

The Ergoseat provides a unique suspension system for both the seat and the consoles. It supports the upper body to unload the lower back of the crane operator in case of shock or aft- forward movements. Studies have shown that using the Ergoseat-S has reduced lower back-problems of 50,5% This in turn reduces the rate of absenteeism.



Seat-type	Ergoseat	
	Standing	Hanging
Seat		
Fabric Upholstery Blue	S	S
Forward - Backward Adjustment Cushion	S	S
Height Adjustment Backrest	S	S
Adjustable Lumbar Support	S	S
Inclination Adjustment Backrest	S	S
Tilt Adjustment Seat	S	S
Forward - Backward Adjustment Seat	S	S
Weight / Suspension Adjustment Mechanical / Manual	X	X
Weight / Suspension Adjustment Pneumatic / Electric	S	S
Head Rest	S	S
Armrests, simple fixed to seat	X	X
Armrests, heavy duty	S	S
V-cut in Cushion	S	S
Pressure Switch in Cushion	O	O
Leather Upholstery	O	O
Merford Dynamic Seat	O	O
2-Point Safety Belt	S	S
4-point Safety Belt	O	O
Console		
Console Width 200 mm	S	S
Console Width 240 mm	Acc. To Drawing	Acc. To Drawing
Console Width 320 mm	Acc. To Drawing	Acc. To Drawing
Consoles Forward - Backward	S	S
Consoles Up- Down	S	S
Consoles Rotatable	S	S
Consoles Tilt adjustable	S	S
Consoles Frontpart Slant	X	X
Blind Topplates	S	S
Pre-Drilled Topplates	O	O
Text Plates	O	O
Extra's		
Height Adjustment Total Arrangement	200 mm	200 mm
Junction box	S	X
Steel parts RAL 7015, structure surface	S	S
Steel Parts Specific RAL colour	O	O
Rotation Table	O	O
Fun Radio	X	X
Heating Furnaces	X	X
Swiveling Panel LH side	O	O
Swiveling Panel RH side	O	O
User and Maintenance Manual	S	S
Control Components	Quotation	Quotation