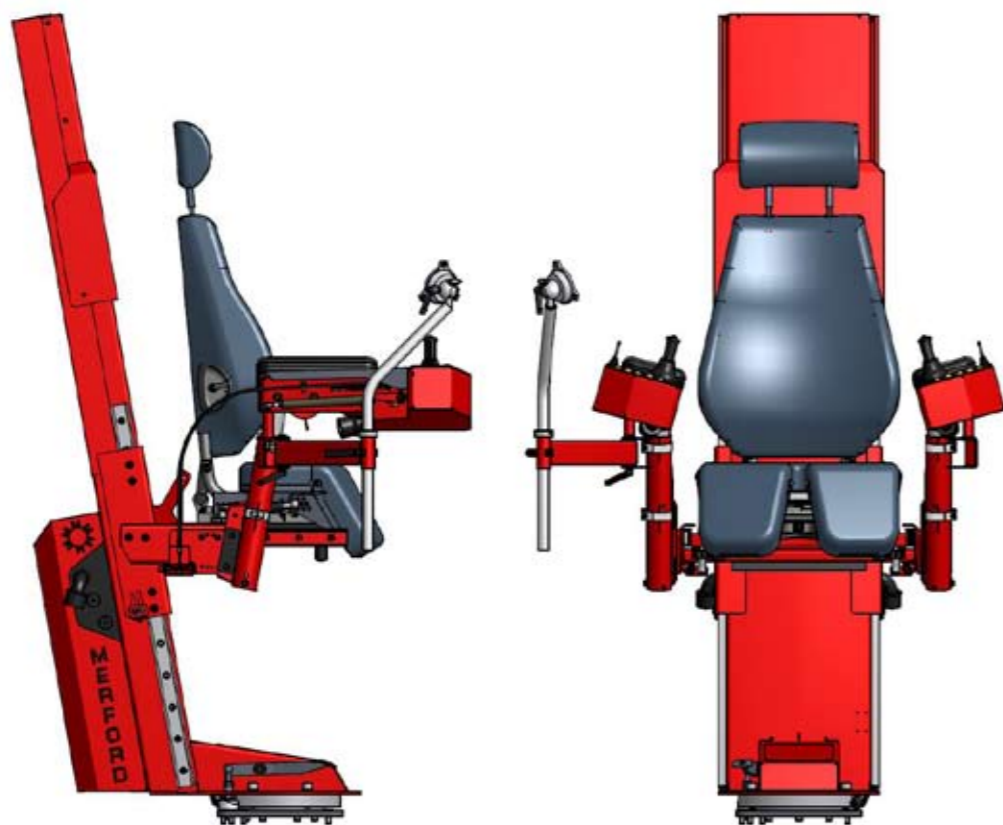




MERFORD

**BalanSeat**



BalanSeat



Ergoseat-H



Ergoseat-S



Full upper body support

Unimpaired view

Posture variation

**Merford Cabins BV**

Web address: [www.ergocab.com](http://www.ergocab.com)  
E-mail: [ergocab@merford.nl](mailto:ergocab@merford.nl)  
Phone: +31 184 606000  
Fax: +31 184 602794  
Country: The Netherlands



## BalanSeat

The BalanSeat is designed for operators looking downward with specific requirements to a wider vision. The seat is provided with an adjustable chest support (to unload the lower back, according to ISO 11226).

The BalanSeat is provided with a high- tec mechanical suspension / balancing system to make the operators body weightless.

Without any effort the operator can change between a standing and sitting position, creating an "active way of sitting." Posture variation is an important way to prevent physical problems.

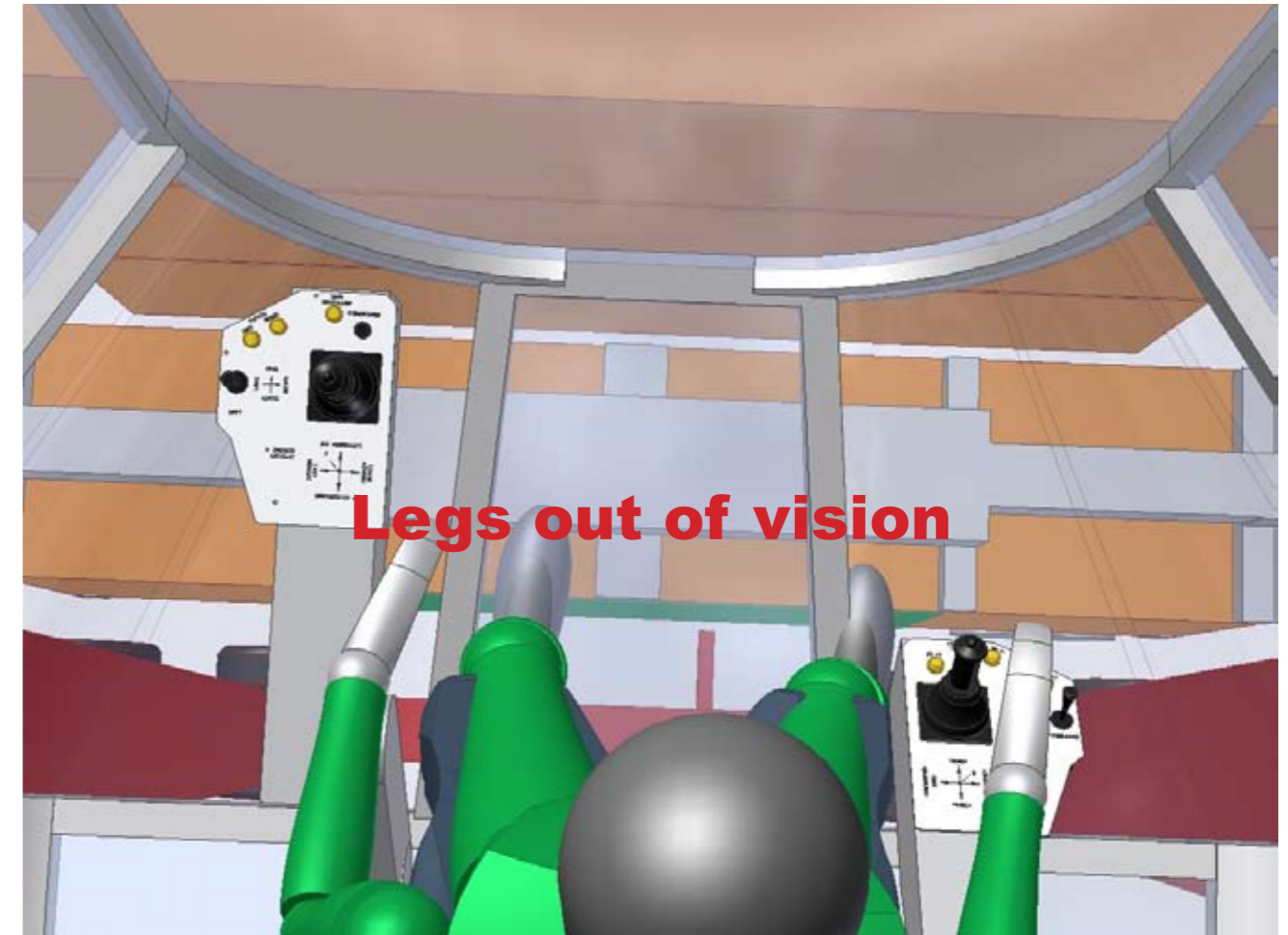


Many people around the world are sitting several hours a day without proper instructions and tools. Because of this, many of them suffer from back or neck problems.

This is especially the case for crane drivers looking downwards and sitting in a moving environment. It is clear this can result in fatigue, physical complaints, loss of efficiency and in extreme cases these situations may contribute to an unsafe environment.

The BalanSeat provides a unique balancing system for both the seat and the console. It supports the upper body which takes pressure off the lower back of the crane operator in case of shock or aft- forward movements.

Looking vertically downward is highly improved because the crane operators legs are moved out of the field of vision.



**The BalanSeat makes the operators body weightless.**

**Stand up for an excellent and wider view downward or sit down.**

BalanSeat			
Seat		Console	
Fabric Upholstery Blue	S	Console Width 200 mm	S
Height Adjustment Backrest	S	Consoles Forward - Backward	S
Adjustable Lumbar Support	S	Consoles Up - Down	S
Inclination Adjustment Backrest	S	Consoles Tilt adjustable	S
Weight / Suspension Adjustment Mechanical / Manual	X	Blind Topplates	S
Weight / Suspension Adjustment Pneumatic / Electric	X	Pre - Drilled Topplates	O
Weight / Suspension / Height Adjustment Automatic	S	Text Plates	O
Headrest	S		
V-cut in Cushion	S	<b>Extra's</b>	S
Leather Upholstery	O	Steel Parts RAL 7015, structure surface	O
2-Point Safety Belt	S	Steel Parts Specific RAL colour	O
4-Point Safety Belt	O	Rotation Table	O
		Swiveling Panel LH side	O
		User and Maintenance Manual	S
		Control Components	O